

bba™ - Balboa Bluetooth Audio (AMP) Installation & User Guide





Bluetooth Integration



CONNECT YOUR SMART DEVICE TO YOUR HOT TUB

With Bluetooth connection you can now play all your favorite songs directly from your phone or tablet.



Control Panel TP800 is also Bluetooth compatible.

For more information please visit www.balboawater.com/bwa.

INTRODUCTION:

The bba™ is a four channel, 120 Watts RMS Bluetooth wireless audio amplifier, capable of delivering up to 30W RMS per channel. It has a compact, water resistant design that allows for flexible mounting possibilities. It is integrated into the BP systems and can be controlled via your smart device or a TP800 / TP900 / spaTouch™ panel.



The unit accepts either audio streamed via Bluetooth connection or hard wired input via RCA input.

Uses:

- To add up to four loudspeakers or two pop-up speakers and a subwoofer to a portable spa
- As a stand-alone system amplifier for any audio source (Mp3 player or standard audio system)

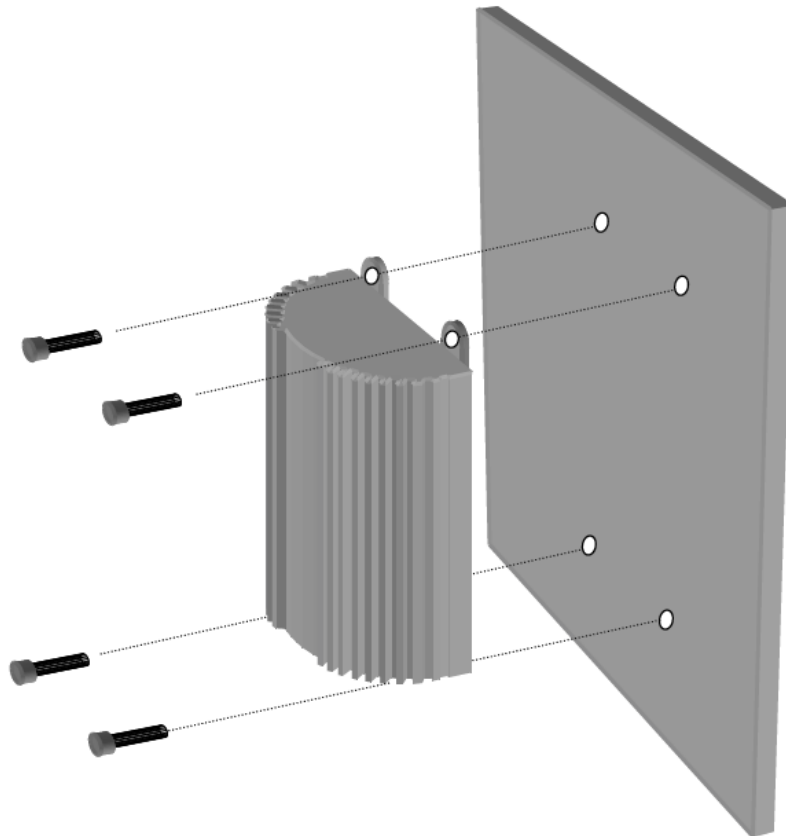
Features:

- Powers up to (8) 4ohm speakers
- Internal distortion limiting circuits
- Rear channels switchable from full range to powered sub out.
- Water resistant design

INSTALLATION INSTRUCTIONS

Mounting the Amplifier:

- 1) Choose a mounting location that is well ventilated. The Amplifier generates significant heat when operating at high power levels.
- 2) It is preferable to mount the unit such that the ventilation fins are vertical or facing upward.
- 3) Drill 1/8" (or 3mm) pilot holes in the mounting surface corresponding to the 4 mounting flanges of the amplifier. Be sure not to drill into any critical areas of your spa.
- 4) Fasten the amplifier to the surface securely using the 4 included tapping screws.



BBA0914

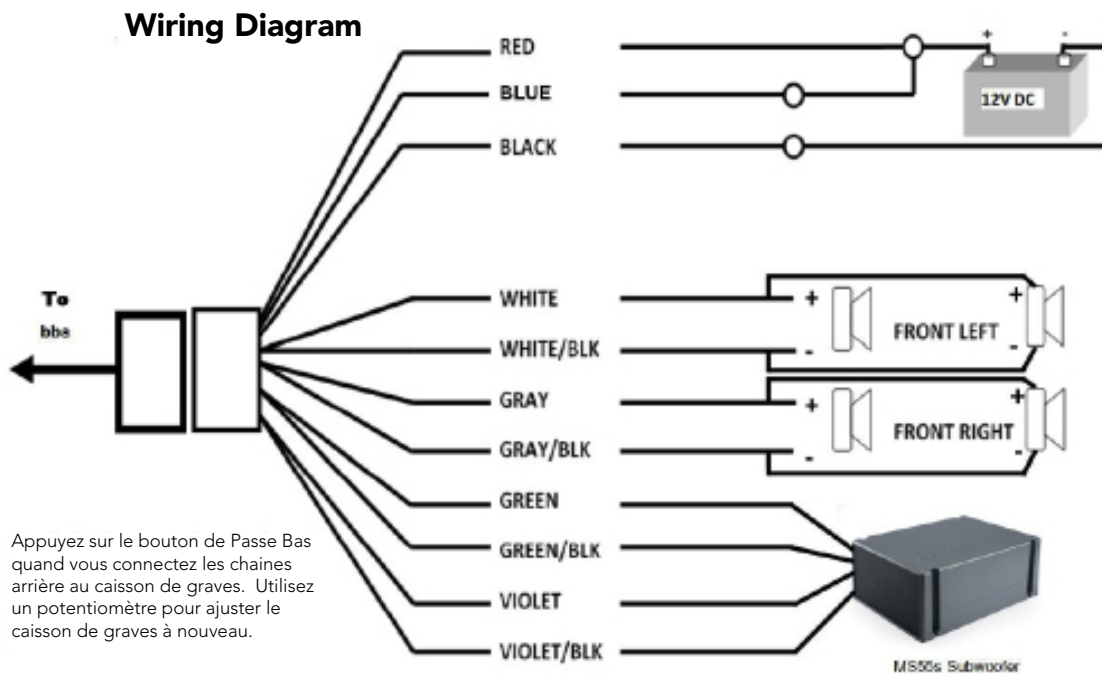
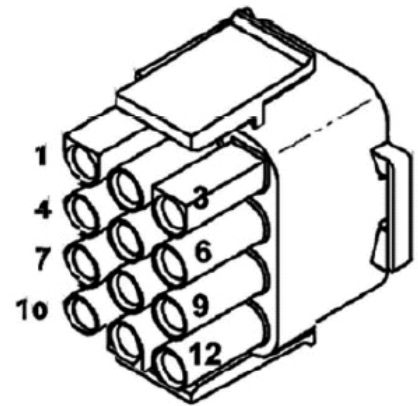
©2014 Balboa Water Group. Single Source Solution. All rights reserved.
1382 Bell Avenue | Tustin, CA 92780 | p 714.384.0384 | www.balboawater.com
We reserve the right to change technical data without further notice.

BALBOA
water group

WIRING DETAILS:

Use the wired plug end (Pigtail) provided to make power and speaker connections according to the diagram below. Using this connector will make it easy to disconnect the amplifier for adding additional features or service. Removing the factory plug end will void warranty.

Wire Color		Function
Red	1	B+ (+12VDC)
Green w/stripe	2	Rear Left Speaker -
Green	3	Rear Left Speaker +
BLANK	4	BLANK
White w/stripe	5	Front Left Speaker -
White	6	Front Left Speaker +
Blue	7	B+ (+12VDC)
Gray w/stripe	8	Front Right Speaker -
Gray	9	Front Right Speaker+
Black	10	Ground (Neg)
Violet w/stripe	11	Rear Right Speaker-
Violet	12	Rear Right Speaker+



BBA0914

©2014 Balboa Water Group. Single Source Solution. All rights reserved.
 1382 Bell Avenue | Tustin, CA 92780 | p 714.384.0384 | www.balboawater.com
 We reserve the right to change technical data without further notice.

BALBOA
 water group

POWER WIRE SPECIFICATIONS:

Red Wire and Blue Wire – Connect these two wires to a +12V power supply.

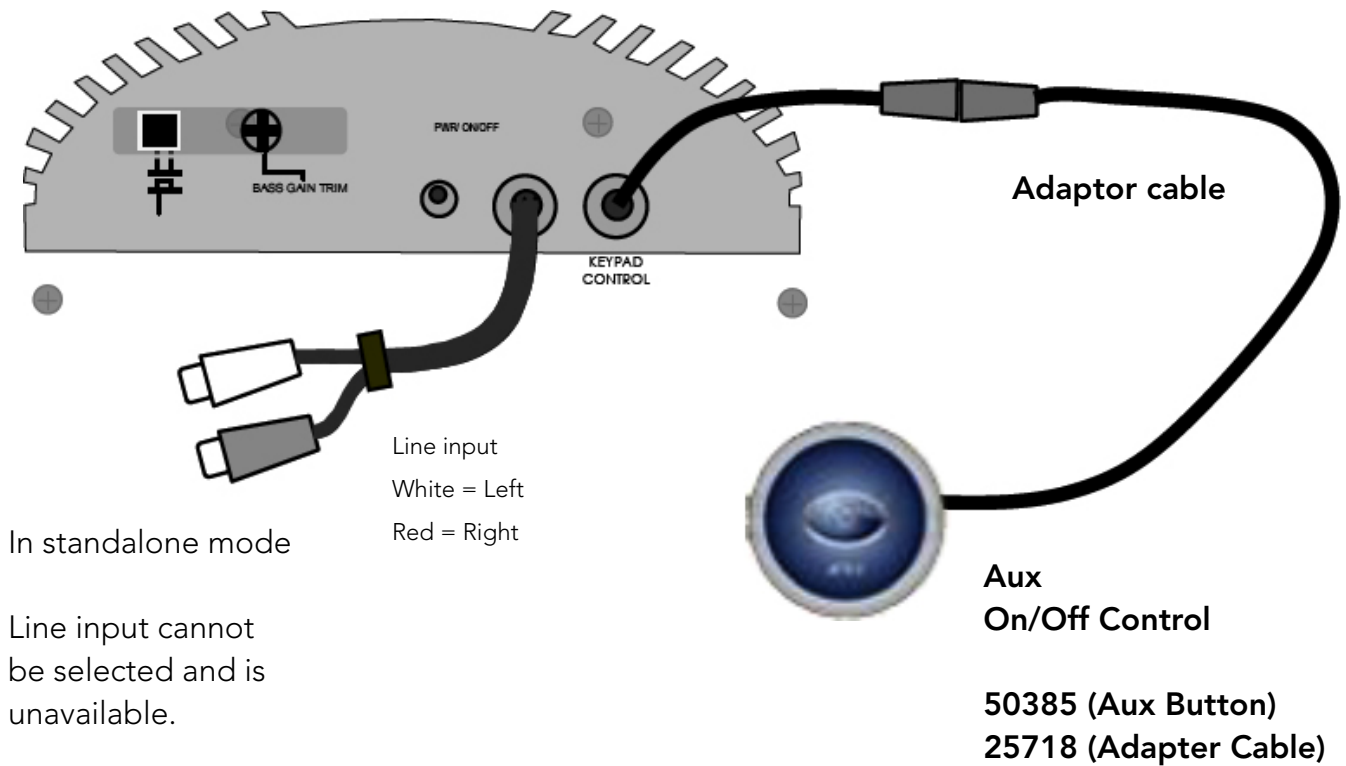
Black Wire – Connect this wire to the negative or other good power ground.

Notes:

- Use the included plug/wire bundle to connect to the power source and speakers.
- The Red, Blue and Black power wires should be 16AWG or larger depending on the length to the power supply. NEVER operate the unit without the proper power and ground wire.
- NEVER ground the speaker leads and NEVER allow the speaker leads to come in contact with each other. The speaker wire should be at least 20 gauge or larger. Be sure to observe the correct polarity on the speaker connections
- Use quality crimp connectors to connect wires together. Seal the connection well with electrical tape.
- NEVER operate the unit without proper fusing. Fuse holder must be located within 2 feet from the power supply. This fuse is to protect the vessel, not the electronics. In case of a short, the fuse will blow instead of the wire burning up. Using other than the recommended fuse ratings at the power supply and at the unit may cause damage to the unit and will void your warranty.
- Whenever possible, use cable ties, mounting clamps and similar wiring aids. Adding stress relief loop to wiring is also advisable to prevent straining or breakage.
- If after reading the directions you feel uncomfortable about installing the unit, or not equipped or competent to do so, you should have this installed by a professional installer
- Connect the white and grey loudspeaker wires to 1 or 2 pairs of loudspeakers. Pay close attention to polarity (black stripe = negative)
- Connect the green and purple loudspeaker wires to 1 or 2 pairs of loudspeakers or to a sub-woofer if the low pass filter switch is depressed

INPUT CONNECTIONS: 59019 – BBA™ - BALBOA BLUETOOTH AUDIO AMP

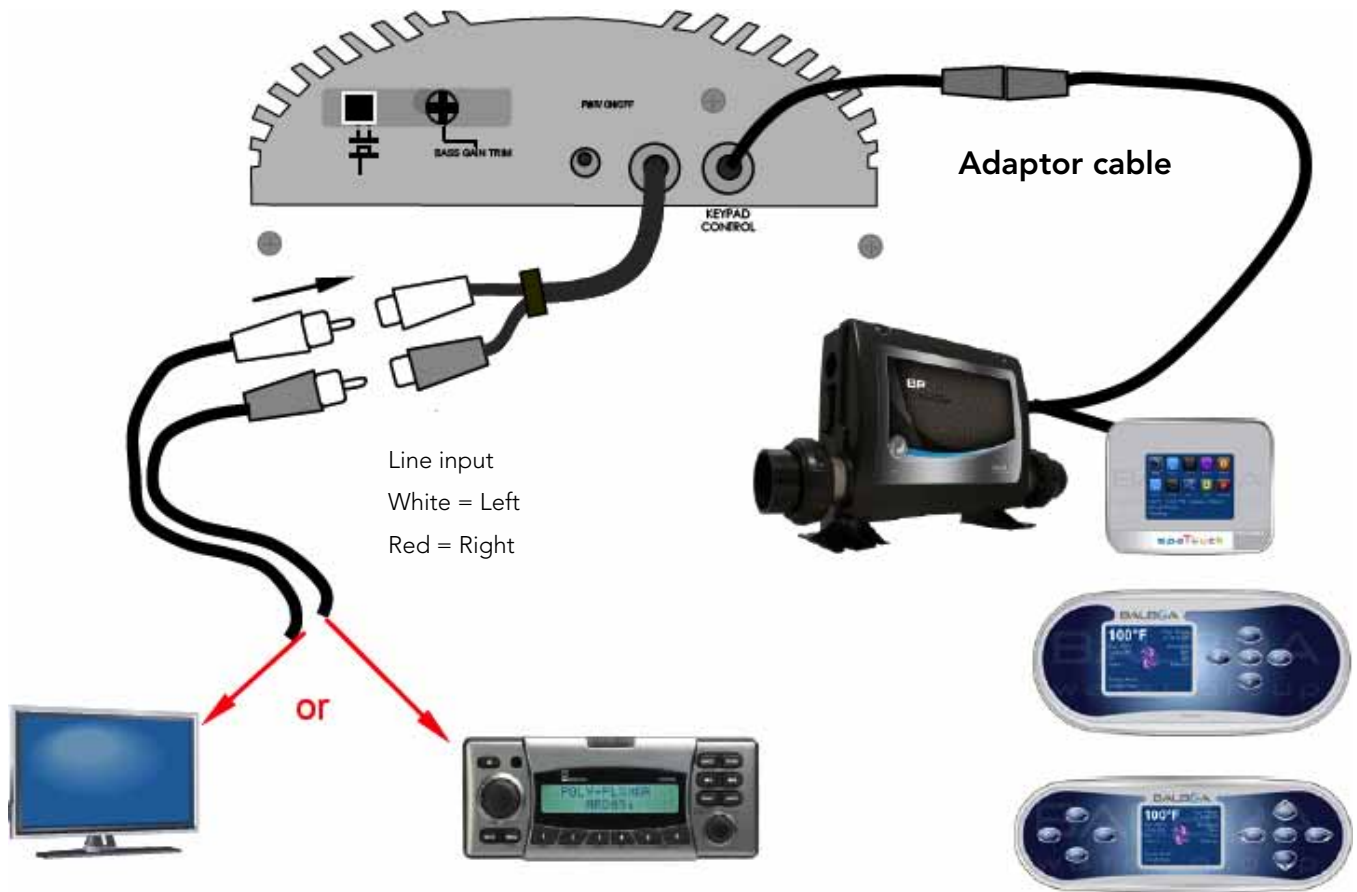
Standalone



Standalone on/off via AUX panel.

INPUT CONNECTIONS: 59019 – BBA™ - BALBOA BLUETOOTH AUDIO AMP

Integrated



Optional Line Input
TV, MP3, Sat Radio or other audio sources

Integrated operation with control via panel.

NOTE:
Power must be supplied to the bba™ at time of spa power up, so that the bba is recognized by the BP spa control which enables the integrated menu.

BP Series Control

spaTouch™

TP800 panel

TP900 panel

25717 (Adaptor Cable)

Optional extension cables for flexibility in bba placement:

CABLE EXTENSION TP PANELS – 100 FT
25662-3

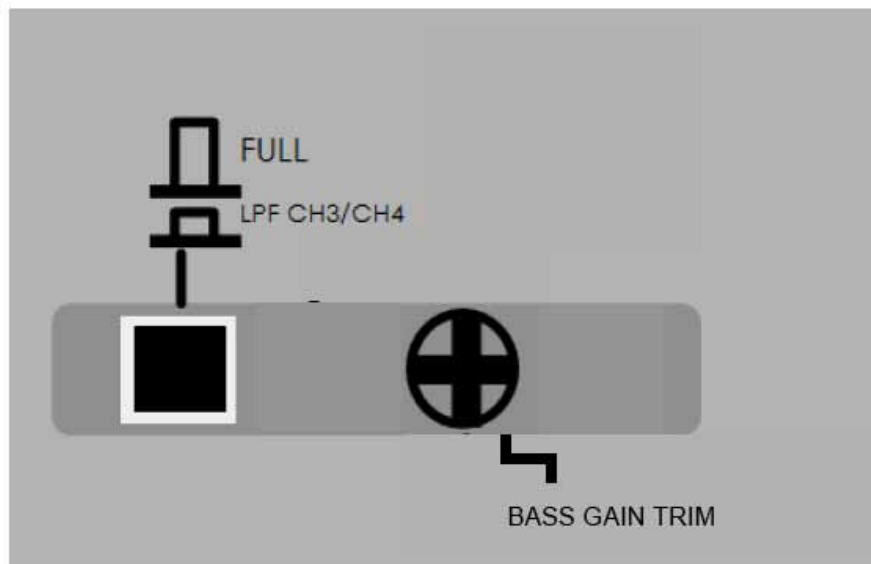
CABLE EXTENSION TP PANELS – 25 FT
25662-1

CABLE EXTENSION TP PANELS – 50 FT
25662-2

CABLE EXTENSION TP PANELS – 7 FT
25662

SWITCH & GAIN SETTINGS:

- 1) The switches and gain settings are secure behind a water resistant rubber seal. Be sure to replace the cover when finished with adjustments.
- 2) The low Pass Filter switch allows the user to optimize bass performance in the case a subwoofer is connected to channels 3 and 4. Poly-Planar recommends use of the Poly-Planar MS55 compact box subwoofer for excellent bass response. Push the low pass button in when connecting rear channels to subwoofer. Use potentiometer to adjust subwoofer gain.
- 3) The Bass Gain Trim adjusts the bass level output of channels 3 and 4 when the LPF switch is depressed. As a rule, keep the gain setting as low as possible while still insuring that the system will reach full output power.



BBA0914

©2014 Balboa Water Group. Single Source Solution. All rights reserved.
1382 Bell Avenue | Tustin, CA 92780 | p 714.384.0384 | www.balboawater.com
We reserve the right to change technical data without further notice.

BALBOA
water group

BLUETOOTH CONNECTION:

- 1) Turn on the amplifier,
- 2) Turn on Bluetooth function of your mobile or music device
- 3) On your music device, click search for Bluetooth device. Make sure you are close enough to the amplifier.
- 4) Select "PPGME60" from the pairing list.
- 5) Enter "60BT" as the password (if required).
- 6) Click "Connect"
- 7) Once connected, you can now start playing your favorite music from your music device.
- 8) Operating Range is up to 30' (will vary, dependent on installation)

LINE INPUT CONNECTION:

This unit can be connected to any portable music devices such as MP3 Player, TV and DVD through the LINE INPUT. Press LINE INPUT button to change the mode to LINE INPUT (Line In or Direct light indicator should be on and red).

Please note: In this mode, all controls and functions must be controlled from your music device. Line Input cannot be used in standalone mode.

BP SYSTEM & TP800/TP900/SPATOUCH™ SOFTWARE VERSION REQUIREMENTS

BP system at version 20.0 or later and one of the following:

TP800 at version 1.13 or later

TP900 at version 1.13 or later

spaTouch at version 1.4 or later

The system and panel version numbers can be found using any of these panels by going to Settings -> Information.

bba™ Specifications:

Speaker Impedance	2 – 8 ohms
Output Power (2 ohm load)	30 W RMS per channel
(4 ohm load)	20 W RMS per channel
Frequency Response	20 Hz – 40,000 Hz
Low Pass Crossover	18 Hz – 245 Hz
Operating Voltage	13.8V (10V – 16V) DC
Maximum current draw (full power)	8 – 10 amps
Dimensions (approx. w/h/d)	
Amplifier	224mm X 106mm X 39mm
	8.82 X 4.17 X 1.54 inches
Weight	1.91 lbs
Installation Clearance (recommended).....	10 inches free space top

Intellectual Property Advisement

All Intellectual property, as defined below, owned by or which is otherwise the property of Balboa Water Group or its respective suppliers relating to the Balboa Water Group including but not limited to, accessories, parts, or software relating thereto bba™ - Balboa Bluetooth Audio (AMP) (the "System"), is proprietary to Balboa Water Group and protected under federal laws, state laws, and international treaty provisions. Intellectual Property includes, but is not limited to, inventions (patentable or un-patentable), patents, trade secrets, copyrights, software, computer programs, and related documentation, and other works of authorship. You may not infringe or otherwise violate the rights secured by the Intellectual Property. Moreover, you agree that you will not (and will not attempt to) modify, prepare derivative works of, reverse engineer, decompile, disassemble, or otherwise attempt to create source code from the software. No title to or ownership in the Intellectual Property is transferred to you. All applicable rights of the Intellectual Property shall remain with Balboa Water Group and its suppliers.